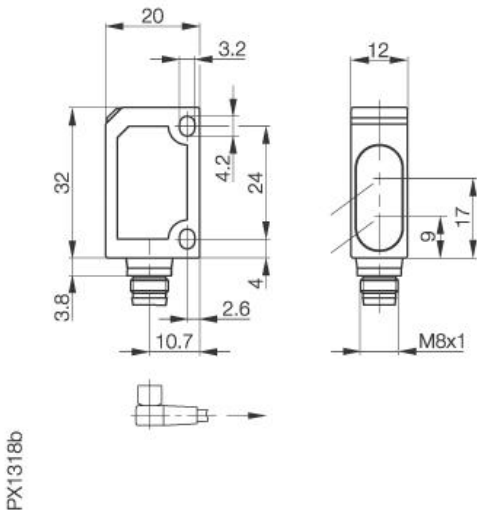


Photoelectric Sensor
BLS 6K-XX-1E-S49-C
Sn=6000mm
through-beam



Common Data

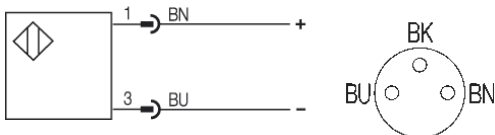
Series	6K
Sensortype	through-beam
Rated operating distance Sn in mm	6000
Indication Supply Voltage	yes, yellow LED
Ambient temperature	-20...+60°C
Off-delay	<0,5ms
Light	Red light

Mechanical Data

Measurements	32x20x12
Shock	Halfsinus, 30gn, 11ms
Vibration	10...55Hz, 1,5mm Amplitude 3x2h
Housing material	ABS impact resistant
Material of sensing face	PMMA
Degree of protection	IP67
Connection	Connector S49 (M8,3-pin)
Weigth	40g
Recommended connector	BKS-S49-

Electrical Data

Current	DC
Rated operational voltage Ue	24V
Supply Voltage	10...30V DC
Ripple	< 10% from UB
Frequency of Supply Voltage	DC
No-load supply current	<35mA
Protected against polarity reversal	yes
Rated insulation voltage	250V AC
max. Load capacity	0,33µF



Utilization categories
 Insulation class

DC13

Datasheet number:

Definitions see general catalog.
 If not otherwise noted, ratings according to
 IEC 60947-5-2 (DIN EN60947-5-2)

Balluff GmbH
 Schurwaldstrasse 9
 73765 Neuhausen a.d.F.
 Phone (07158) 173-0 Fax (07158) 5010

Datenblatt by CD-ROM - 04/2007

